

THE GRAPEVINE

First Presbyterian Church
1101 Millington Street
Winfield, KS 67156
Phone: 620-221-4500 Fax: 620-221-6038
www.firstpreswinfield.com

DATES TO REMEMBER

February 22nd
Ash Wednesday

March 25th
Palm Sunday

April 5th
Maundy Thursday

April 8th
Easter Sunday

**Brown-Bag Lenten
Lunch Study**
Noonish - 12:50 pm

February 23rd
March 1st
March 8th
March 15th
March 22nd
March 29th
April 5th

Secret Pal
February 12th - March 4th

PW Chili Supper
February 24th (5:00—7:00 pm)

Ecumenical Lenten Services
12:15 - 12:45
February 22nd
February 29th
March 7th
March 14th
March 21st
March 29th
April 4th

Our Staff:

Dr. Robert K. Wyman
Interim Pastor
Don Phillip Gibson
Organist
Lorraine Barrett
Administrative Assistant
Deborah Badley
Director of Children's Music
Brady Dutton
Treasurer
Tim Miller
Minster of Music
Beverly Reiter
Librarian
Eric Fraley
Director of Christian Education
and Youth Ministry

Ministers: *The Congregation*

Elders

Don Bromlow
Jack Brubacher
Brady Dutton
John Halverstadt
Alan Herrman
Mary Jarvis
Byron Jones
Scott Lowe
Steve McSpadden
Julie Mignone
Don Peterson
Jim Reed
Gilbert Scott
Ruth Westfall
Pat Williams

Deacons

Cathe Brennan
Dixie Broadhurst
Pat Chrisler
Lois Cole
Linda Fitzgerald
Jim Godfrey
Dordi Herrman
Terri Higdon
Suzie Johnson
Beverly Keller
Jeremy Lankton
George Lowe
Marilyn McSpadden
Debbie Stimmel
Francis Wengeler



**Become
Part of
Our
Church
Family**

March Lectionary

March 4, 2012 - Lent II
Genesis 17:1-7,15-16
Psalm 22:23-31
Romans 4:13-25
Mark 8:31-38

March 11, 2012 - Lent III
Exodus 20:1-17
Psalm 19
1 Corinthians 1:18-25
John 2:13-22

March 18, 2012 - Lent IV
Numbers 21:4-9
Psalm 107:1-3
Ephesians 2:1-10
John 3:14-21

March 25, 2012 - Lent V
Jeremiah 31:31-34
Psalm 119:9-16
Hebrews 5:5-10
John 12:20-33

In the spirit of Jesus' invitation to follow Him, we invite those of you looking for a church family to become one of us. The Session (elders) receive and dismiss members. The next Session meeting is Wednesday, February 8, at 7:00 pm. New members are received by: transfer of membership from another church, professions of faith, or reaffirmation of faith. If you would like to become part of our church family, mark it on the Fellowship Pad or call the church office. The Pastor is always happy to discuss this with you.

If you or your child would like to be baptized, please call and let us know.





**Session Meeting Highlights
from February 8,
2012 Meeting**

Deacon's made 25 visits/calls to Parish Friends, and the prayer chain was activated one time.

Food Pantry's food of the month received 89 units, other food 243 units.

The Secret Pals program started February 12 and will conclude with the secret pal being revealed on March 4th at a pizza party after worship.

The Lenten study will start on Thursday, February 23. Bring a brown bag lunch and meet from 12 noon to 1:00. The study will be "24 Hours that Changed the World, 40 Days of Reflection" and books are available in the church office for \$7.00.

The youth potato bar fundraiser raised over \$600.00 for the summer mission trips.

The following special offering dates were approved: April 8 - One Great hour of Sharing, October 7 - Peacemaking and December 23 - Christmas Joy.

The following treasurer's report was received:

January 2012 Income	\$26,478.16
January 2012 Expenses	15,862.64
Net Budget Income	10,615.52

A number of the youth will be attending "Sleep-less in Sterling."

Our church youth will host a weekend retreat, "Faith Factor" with the El Dorado Presbyterian Youth, April 27 & 28.

The Ash Wednesday service will start at 7:00 on Wednesday, February 22.

The Presbyterian Women will be serving a Chili Supper on February 24 to help the youth with funds for their summer mission trips. \$6.00 for adults and \$3.00 for youth. 5-7 p.m. in Fellowship Hall.

The Pastor Nominating Committee will be meeting every Tuesday evening. They will start working on the Church Mission Study and the Church Information Form. Steve McSpadden was elected Moderator and Beverly Reiter, Secretary.

Lou Tharp, Clerk

**PW to hold
Soup Luncheon**



PW Soup Luncheon

The Coordinating Team will be hosting our annual **Soup Luncheon** on **March 1st at 12 noon**. A BIG bargain at \$2.50!

Renee' Sanchez will tell about her experience of teaching in Japan.

All women of the church are invited. Please let your Circle Moderator, or Mary Kerr (221-1759) know if you plan to attend.

Chili Supper

The PW have tickets available for their Chili Supper on February 24th.

They will serve chili, crackers & home-made pie for dessert. Cost is:

\$6 for adults

\$3 for children under 12

Proceeds will go to help the youth defray the cost of their trips to the Heifer Ranch and the Dwight Mission this summer.

Ecumenical Lenten Services

This year, 2012, on a trial basis, the Ministerial Alliance will sponsor brief, 30 minute, Lenten Worship Services every Wednesday, beginning Ash Wednesday, February 22 and ending Wednesday of Holy Week, April 4.

The services will be held at First United Methodist Church, in the Sanctuary, from 12:15 to 12:45 p.m. There will be no meal associated with the service. An offering will be received for the ministries of the Alliance, in particular the Transient Ministry.

- February 22nd
- February 29th
- March 7th
- March 14th
- March 21st
- March 28th
- April 4th





Several projects have recently been completed around the church.

The Silver Dale fence has been added at the new handicap accessible entrance to the education wing. Thank you to Ralph Russell who

picked up the stone and Jack Brubacher who helped him put it in.

We now have two new freezers on the premises. One strictly for Peter's Promise and a new one in the kitchen. Thanks to Jack Brubacher for making that happen and for emptying out the old freezer and finding a new home for it.

Support the Big House Orphanage

On March 17th, from 5 pm to 6:45, Grandview United Methodist Church will sponsor a Baked Potato Bar. All proceeds from this event will go towards the water filtration system that is going in at the Big House Orphanage in Les Cayes, Haiti in April!

Cost is \$6 which includes fixin's, home made desserts and beverage.

At 7 pm, as part of their 100 year anniversary, there will be a concert by Barry Ward, well-known gospel/country singer. There is no cost for the concert but a free will offering will be taken.

Hope to see you there!

Barry Ward is currently a finalist for outstanding male vocalist with the Academy of Western Artists



Lenten Devotional Series

Thursdays

February 23

March 1

March 8

March 15

March 22

March 29

April 5

This year we are offering our Lenten devotional study on Thursdays at noon to 1 pm (a little after 12 and a little before 1).

Bring a brown-bag lunch and join us as we discuss the 40-day devotional book that accompanies the series the Adult Study Group is covering, *24 Hours that Changed the World*.

Books are \$7 and are available in the office. The study is thought provoking and will certainly lead to some wonderful discussion.



Sunday School

Sunday School continues with Lois Cole & Pat Williams teaching the PreK class, Suzie Johnson & Amber Bromlow-teaching 1-4 grade, Terri Higdon & Cynthia Brzycki teaching our middle schoolers and Eric is teaching the high school class. **It would be great if Eric were free to**

assist other teachers, so if you feel led to work with this lively and engaging bunch of teenagers, please let him know.

The Young Family class is finishing up "Parenting: The Early Years" by Les & Leslie Parrott—it is never too late to

join this class so grab a cup of coffee and join them in the Chris Ed Director's office.

The adult class will begin "24 Hours that Changed the World" a DVD study by Adam Hamilton.



Join A Class!



THE GRAPEVINE



February 29:	Serve Peter's Promise
March 9 - 11:	Sleep"less" in Sterling
March 30 - April 1:	Young Christian's Weekend @ Branson, MO
April 27 - 28:	Faith Factor Weekend @ FPC Winfield
May 5:	Graduation/Recognition Sunday
June 1 - 3:	Family Camp @ Westminster Woods
June 6 - July 25	Kids of the Kingdom (every Wednesday except 7/4)
June 5 - 8:	3rd/4th Grade Camp @ Westminster Woods
June 7 - 10:	Trip to Heifer Ranch - Perryville, AR (6th - 12th)
June 11 - 15:	5th/6th Grade Camp @ Westminster Woods
June 18 - 22:	7th/8th Grade Camp @ Westminster Woods
June 25 - July 1:	High School Camp @ Westminster Woods
August 5 - 12:	Mission Trip - Dwight Mission - Vian, OK (9th - 12th)



Being a Christian wasn't ever promised to be easy, just radical and fulfilling.

A WORD FROM ERIC...

KOTK will be here before we know it, so the planning is about to begin. The first KOTK planning meeting will be Monday, March 5th, at 5:00 P.M. If you would like to be a part of planning KOTK, or a volunteer, please attend the meeting. If you are not able to make the meeting but would still like to be involved with KOTK, then let Eric know. The first meeting will address the theme and how KOTK will rotate this summer.

Don't forget, the Presbyterian Women are sponsoring a Chili Feed Supper Friday, February 24th, from 5:00-7:00. The money raised will go to support the youth on their missions this summer. The cost of the meal is \$6.00 for an adult, and \$3.00 for children under 12. The dinner will be in Fellowship Hall.

Memorial bricks are available to order at any time. The money raised will help support the youth program.

Secret Pal ends Sunday, **March 4th. After church there will be a Secret Pal pizza party** in Fellowship Hall.

The 'Brown bag Study' will begin Thursday, February 23rd in Fellowship Hall from 12:00-1:00. We will be going over the book, "24 Hours That Changed the World", by Adam Hamilton. Each book is \$7.00. Since the study will be through the lunch hour, make sure to bring a 'brown bag' lunch.

If you're an avid Yahoo News reader, then you probably read about the San Francisco driver who thought he could take a shortcut through

a construction zone that was coned off, only to drive his Porsche 911 into a wet pool of cement. His shortcut cost him several hours and thousands of dollars. While I'm thinking this guy is a total idiot, I realize that I try to take shortcuts myself. The sad thing is, sometimes the shortcuts I take are in my relationship with Christ. I cut corners and bend the rules a little to make God's call fit my will, instead of bending my rules to fit HIS will. Being a Christian wasn't ever promised to be easy, just radical and fulfilling. This week, think about the shortcuts you take in your life, are they really helping you like you think they are, or are they holding you back from what you can be?

MISSION OPPORTUNITIES



Safe Homes

Safe Homes has a tote located in the church in which to put specific items that are needed for the shelter. There are several churches that are participating in this ministry. Items requested of FPC are: shampoo & conditioner, feminine products, diapers (any size) and wipes. The tote is located on the table next to the Food Pantry basket in Fellowship Hall and ANY item you wish to donate to SafeHomes can be placed in it.



Discretionary Fund

In January we assisted 27 families. I am thankful that as of yet I have not had to turn anyone away. While some are "regulars", I continue to see many new faces. Evidence that the economy in our corner of the world is not much improved. Thank you to those who have made generous donations and to those who faithfully contribute to the Discretionary Fund.



Food Pantry

Every month the Deacons sponsor the "Food of the Month", however that does not mean that is the only item needed. The Food Pantry is in need all the time and so if something's on sale, if you have a coupon, etc., consider getting it for the Food Pantry. If every family that came to church brought a non-perishable food item each week it would make a huge difference to the Food Pantry; and, of course, they are also happy to take monetary donations.

March Food of the Month is:

Canned Meat OR Canned Fish

The following is a prayer from "24 Hours that Changed the World" by Adam Hamilton

Lord, I offer myself to you. Use me to do whatever is needed, no matter how small. Like the unnamed disciple in the story of the Last Supper, help me to serve without recognition. Amen.



Peter's Promise

Every Wednesday evening the church kitchen and Fellowship Hall are buzzing with activity as members prepare dinner. Sometimes we feed 70 - 80 community members as well as the youth group - over 100 people!

There are many ways you can help with this ministry. You can sit and welcome people as they come in and keep a tally, you can make a dessert, you can come help cook and/or clean up and you can donate money towards meals. This is a vital ministry to our community and you can be a part!



Dillons' Gift Cards

Purchase a gift card here at church (from George Lowe on Sunday or Lorraine in the office during the week) for \$5 and then take it to Dillons, load as much as \$500 on it, and 5% comes back to us to be used in various mission projects.

This program really does make a difference. Just since September, we have received back \$637 that can be used for our local mission work.

What an easy way to make a difference!



The Eagle Nest is a thrift store and more! They provide clothing for all, but mostly try to have clothing that women can wear to a job interview. They have their new Cancer Suite that provides wigs, scarves and make-up tips for women living with cancer and the effects of chemo. And, did you know that they provide lunch everyday?

Eagle Nest also provides classes to help families and individuals further themselves, whether it be budgeting or a computer class.

You can help by bringing them gently used clothing, providing items for the Cancer Suite, or perhaps volunteering to serve lunch or lead a class.



IN NEED OF PRAYER

Health/personal concerns:

Tina Black, Leah Bromlow, Shirley Cummins, Ellyn Farmer, Kurt Fritz, Don Gibson, Elinor Grose, Terri Higdon, Marshall Martin, Ruth O'Connor, Sylvia Reed, Doris Richardson, Rocky Rochat, Dr. Sam and his brother, Louise Scarth, Stephanie Shattuck, Alice Smith, Ruth Ann Wengeler, a college student struggling with mental illness, for Savannah born with Hydrocephalus, Autumn and family

Those grieving:

The family of Ellen Martin

Pray also for:

those who are away from their family, those without family, those with addictions, the community of Winfield, those who are unemployed, for our missionaries, at home and abroad, the Presbytery of Southern Kansas and its churches, especially First Presbyterian of El Dorado (week of 2/26) and First Presbyterian of Lakin (week of 3/4)

SERVING IN MARCH

Acolytes

- 4th Macaulie Hanna and Belle McCauley
- 11th Zane Hubble and Drake Lowe
- 18th Coryn Badley and Fiona Badley
- 25th Belle McCauley and Kathleen Wardman

Peter's Promise

- 7th Choir
- 14th Session
- 21st Worship
- 25th Murray Rockhold

Worship Assistants

- 4th Susan Lowe
- 11th Jackie Russell
- 18th Pixie McCoy
- 25th Lois Cole

Children's Message

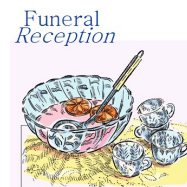
- 4th Mary Jarvis
- 11th Phil Jarvis
- 18th Kelsey Holcomb
- 25th Amy Jones



Serving this month

Sign up for Sanctuary Flowers

Once again we are offering the opportunity to supply flowers in the Sanctuary for worship each Sunday. The sign-up sheet is on the bulletin board across from the library. If you are unable to come to church but would like to provide flowers, please call the office and Lorraine will be happy to sign you up. Currently the month of March is wide open. You can have flowers in memory of a loved one, in celebration of a special event, or in honor of someone. You can supply seasonal flowers, a plant, a floral arrangement, etc.




Thank you!

Following the Memorial Service for Ellen Martin on February 9th, a reception washeld in Fellowship Hall for her family and friends. Members of the Board of Deacons serving coffee and refreshments were: Dixie Broadhurst, Cathe Brennan, Dordi Herrman, Pat Chrisler and Beverly Keller.



Flowers
for the Sanctuary

March - 2012

SUN	MON	TUE	WED	THUR	FRI	SAT
<p>MARCH FOOD OF THE MONTH IS: Canned Meat OR Canned Fish</p>				<p>1</p> <p>Noon - "24 Hours that Changed the World" Brown-bag devotional study 5:30 pm - Youth Ministry 7 pm - Mariners</p>	<p>2</p>	<p>3</p>
<p>4 - 2nd Sunday in Lent 9 am - Adult Study "24 Hours ..." 9 am - Sunday School 10 am - Worship 11:15 am - Secret Pal Pizza Party 11:15 am - Children's Choir 4 pm - Disciple I</p>	<p>5</p> <p>5 pm - Kids of the Kingdom Planning Session 7 pm - 4-H /Club Day</p>	<p>6</p> <p>10 am - Tuesdays at Ten 5:30 pm - Trustees 6:30 pm - Deacons 7 pm - PNC</p>	<p>7</p> <p>12:15 pm - Ecumenical Lenten Service @ FUMC 3:30 - 8 pm - Youth Program 5 pm - Peter's Promise 5:15 pm - Personnel Comm. 5:30 pm - Worship Committee 6:30 pm - WOW</p>	<p>8</p> <p>Noon - "24 Hours that Changed the World" Brown-bag devotional study</p>	<p>9</p> <p><i>Sleep "less" in Sterling</i></p>	<p>10</p>  <p><i>Sleep "less" in Sterling</i></p>
<p>11 - Third Sunday in Lent 9 am - Adult Study "24 Hours ..." 9 am - Sunday School 10 am - Worship 11:15 am - Fellowship 11:15 am - Children's Choir 11:15 am - Outreach/Mission 4 pm - Disciple I <i>Sleep "less" in Sterling</i></p>	<p>12</p> <p>7 pm - 4-H</p>	<p>13</p> <p>10 am - Tuesdays at Ten 7 pm - PNC</p>	<p>14</p> <p>12:15 pm - Ecumenical Lenten Service @ FUMC 3:30 - 8 pm - Youth Program 5 pm - Peter's Promise 6:30 pm - WOW 7 pm - Session</p>	<p>15</p> <p>9:15 am - Janet Hodson Circle Noon - "24 Hours that Changed the World" Brown-bag devotional study 6 pm - Christian Education Committee</p>	<p>16</p> <p>6 pm - Scrapping Presbyterians</p>	<p>17</p> <p>4 pm - Saddle Club</p>
<p>18 - Fourth Sunday in Lent 9 am - Adult Study "24 Hours ..." 9 am - Sunday School 10 am - Worship with communion 11:15 am - Children's Choir 11:15 am - Personnel/brainstorming 4 pm - Disciple I</p>	<p>19</p> <p>7 pm - 4-H Project Mtg</p>	<p>20</p> <p>10 am - Tuesdays at Ten 7 pm - PNC</p>	<p>21</p> <p>12:15 pm - Ecumenical Lenten Service @ FUMC 3:30 - 8 pm - Youth Program 5 pm - Peter's Promise 7 pm - Murray Rockhold @ D. Schwartz's</p>	<p>22</p> <p>Noon - "24 Hours that Changed the World" Brown-bag devotional study</p>	<p>23</p>	<p>24</p>
<p>25 - Fifth Sunday in Lent 9 am - Adult Study "24 Hours ..." 9 am - Sunday School 10 am - Worship 11:30 am - Pot Luck 4 pm - Disciple I</p>	<p>26</p>	<p>27</p> <p>10 am - Tuesdays at Ten 7 pm - PNC</p>	<p>28</p> <p>12:15 pm - Ecumenical Lenten Service @ FUMC 3:30 - 8 pm - Youth Program 5 pm - Peter's Promise 6:30 pm - WOW</p>	<p>29</p> <p>Noon - "24 Hours that Changed the World" Brown-bag devotional study</p>	<p>30</p> <p><i>YCW - Branson</i></p>	<p>31</p> <p><i>YCW - Branson</i></p>

Birthdays & Anniversaries - March, 2012

SUN	MON	TUE	WED	THUR	FRI	SAT
				1 <i>Wayne Wilt</i>	2 <i>Nancy Gilbert</i>	3
4 <i>Andrew Everett (13)</i> <i>Duey Kerr</i>	5 <i>Dennis Hill</i> <i>Tom Ozburn</i>	6 <i>Carrol Campbell</i> <i>Billie Wells</i>	7 <i>Cathe Brennan</i> <i>Ava Jones (7)</i> <i>Paula Steinbacher</i>	8 <i>Kris Trimmer</i> <i>Megan Wolf</i>	9	10 <i>Carol Mackey</i>
11 <i>Brady Dutton</i> <i>Brent Hubble</i>	12	13 <i>Kim Pringle</i>	14 <i>Verl Wesley</i>	15 <i>Dorothy Banks</i> <i>Casey Woner</i>	16 <i>Corbin Lowe (5)</i>	17
18 <i>Mildred Montandon</i> <i>Bill Tharp</i>	19	20 <i>Hilda Ray</i> <i>Brent & Megan Wolf (8)</i>	21	22 <i>Renn Gibson (2)</i> <i>Emory Rodda (13)</i> <i>Bob & Betty Sherrard (60)</i>	23 <i>Brent & Carol Mackey (21)</i>	24 <i>Carol Brubacher</i>
25	26	27	28	29	30 <i>Don Bromlow</i> <i>Erika Kendall</i> <i>Newt Richardson</i>	31 <i>Joyce Garcia</i>

Spring HAS Spring

Make this craft to capture the beauty of God's creation in springtime.

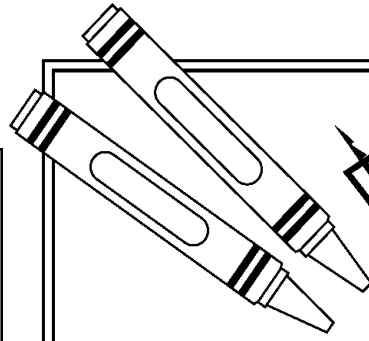
What you need:

- White glue that dries clear
- White watercolor paper
- Black fine-point permanent marker
- Watercolors
- Paint brush
- Water bowl
- Paper towels



What you do:

1. With glue, draw a picture on watercolor paper of flowers and other things in God's creation we see in spring. Keep lines fairly big and simple, without many small details.
2. After the glue dries, use a fine-point permanent marker to trace the glue lines.
3. Paint your picture with watercolors for a stained-glass effect.



PUZZLE

SIGNS OF *Rebirth*

Isaiah 35 describes the rebirth of a dry land when Jesus returns, as well as the signs of God's beautiful creation at springtime.

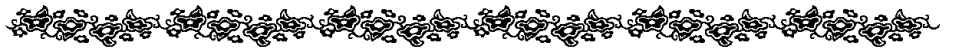
Directions: Solve each math problem. Then write the words in order, from smaller numbers to larger numbers, in the spaces below.

bloom $6+1=$ ___ blossom $2 \times 2=$ ___ rejoice $4 \times 2=$ ___

burst $3+3=$ ___ wilderness $2+1=$ ___ joy $5+5=$ ___

crocus $3+2=$ ___ desert $1 \times 0=$ ___ parched $0+1=$ ___

glad $2 \times 1=$ ___ shout $10-1=$ ___



"The _____ and the _____ land will
 be _____ ; the _____ will rejoice
 and _____. Like the _____,
 it will _____ into _____ ; it
 will _____ greatly and _____ for _____."

Isaiah 35:1-2, NIV

Answers:
 "The desert and the parched land will be glad; the wilderness will rejoice and burst into bloom. Like the crocus, it will burst into bloom; it will rejoice greatly and shout for joy."

The Grapevine



March 4th
Daylight Savings



RETURN SERVICE REQUESTED

First Presbyterian Church
1101 Millington Street
A Congregation of the PC U.S.A.

Non-Profit Org.
US POSTAGE PAID
Permit No. 145
WINFIELD KS 67156-3631